

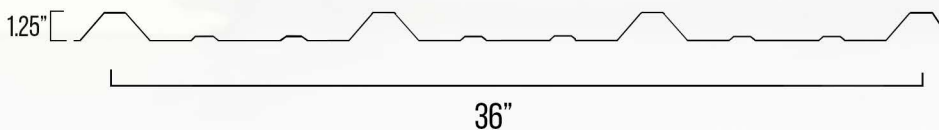
# 3' PBR Panel

---

## INSTALLATION MANUAL



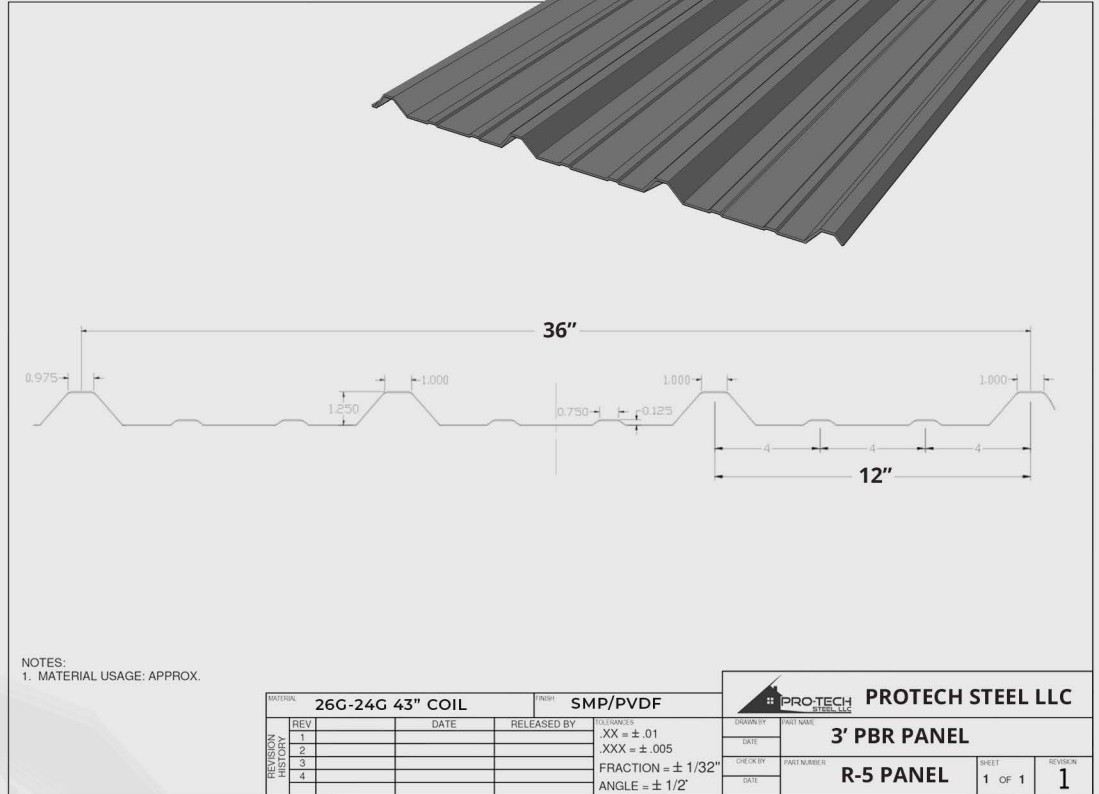
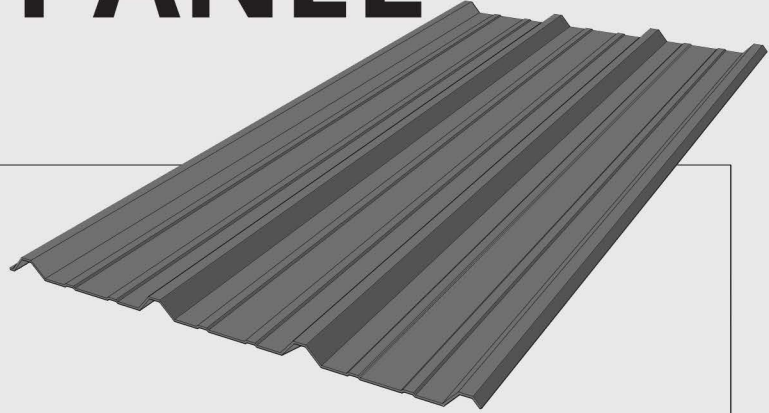
FOR STANDARD INSTALLATION PROTOCOL USE  
BY INDUSTRY PROFESSIONALS.





# PANEL INTRO

# 3" PBR PANEL



## PANEL INTRO

The 3' PBR Panel is an exposed fastener panel which can be used in many applications including residential, commercial, industrial and agricultural. Because of this panel's 1.25" rib and 26g construction it is ideal for structural applications such as steel building projects and has the ability to span 5'.



## QUICK NOTABLE

*The PBR Panel uses larger trim than other exposed fastener panels due to its larger rib.*



# TOOLS NEEDED

## 3' PBR PANEL



### SCREW GUN

A screw gun with appropriate head and bit attachments will be required to fasten screws and drill holes.



### SPEED SQUARE

A speed square is useful in the marking and cutting of trim and panels.



### TIN SNIPS

Tin snips will be needed to successfully cut trim pieces to fit. Installers will find that a pair of left, right and straights will help.



### BENDING TOOL

A hand bending tool will come in usefull for bending eaves, ridges and field forming trim / panels.



### TAPE MEASURE

A tape measure will prove useful for measuring points and determining square.



## QUICK NOTABLE

*A proper layout and design is a very important step in the successful application of your steel project.*



# PROPPER STORAGE

## 3' PBR PANEL



### STORAGE

Panels will arrive on location with plastic wrap and crated, or ran on site in a bundle. Keep materials dry and out of the direct sunlight.



### HANDLING BUNDLES

Large panel bundles should be handled using the forks on a forklift, while still in crating.



### HANDLING PANELS

Practice team lifting while hauling panels and keep the length in mind as a factor.



### CAUTION

Exposing finished materials to corrosive chemicals or solvents can cause issues with the paint finish and void paint warranty. Use caution when cleaning and caring for finished materials.



### QUICK NOTABLE

*It is important to remove plastic wrap as soon as possible as prolonged adhesion can cause plastic to be difficult to remove.*



PANEL  
**INFO**

# 3' PBR PANEL

**36" COVERAGE**



**ROOFING - INTERMEDIATE SUPPORTS**  
**SIDING - ALL SUPPORTS**



QUICK  
**NOTABLE**

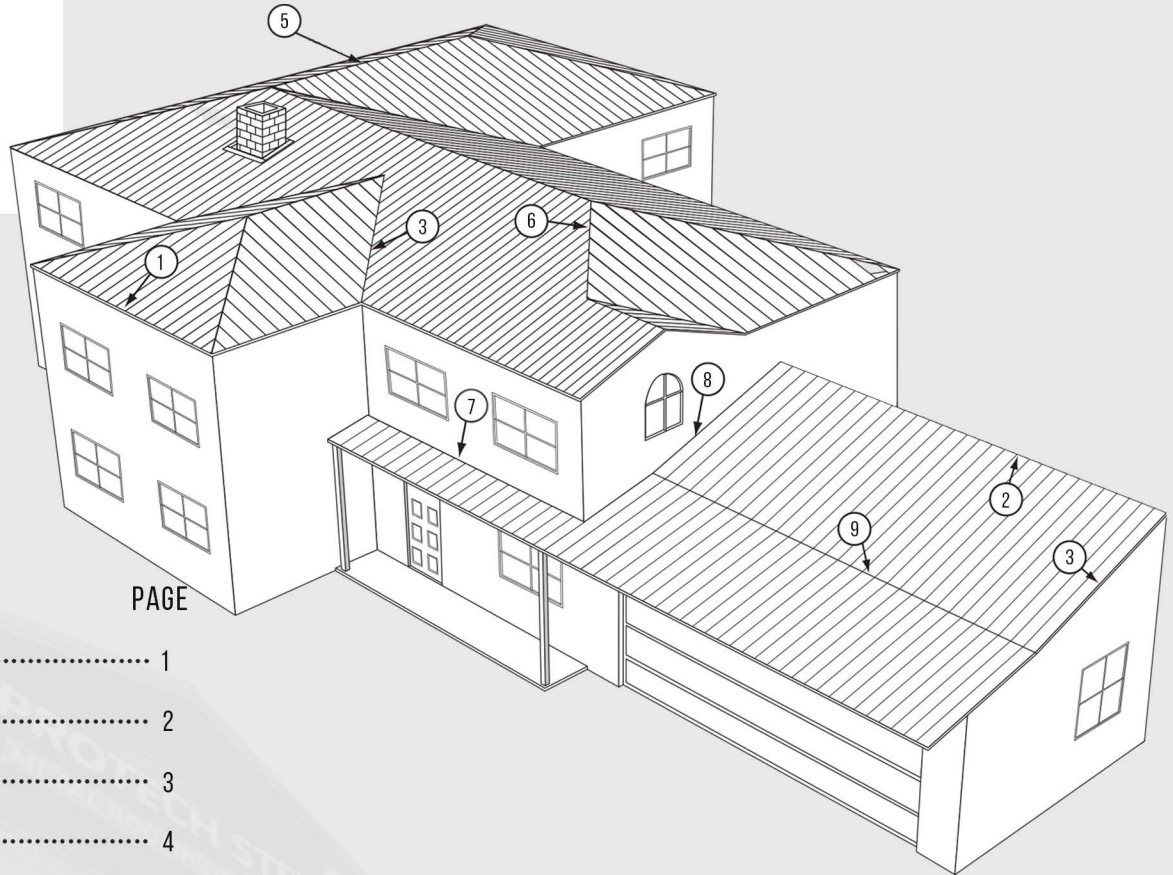
*This panel can be installed on wood or steel framed structures with a purlin span of 5'o.c.*



# INSTALL LEGEND

# 3' PBR PANEL

## DETAIL LOCATOR



DETAIL SECTIONS	PAGE
EAVE .....	1
PEAK TRIM .....	2
GABLE .....	3
VALLEY .....	4
RIDGE .....	5
HIP .....	6
ENDWALL TO ROOF TRANSITION .....	7
SIDEWALL FLASHING .....	8
PITCH BREAK .....	9



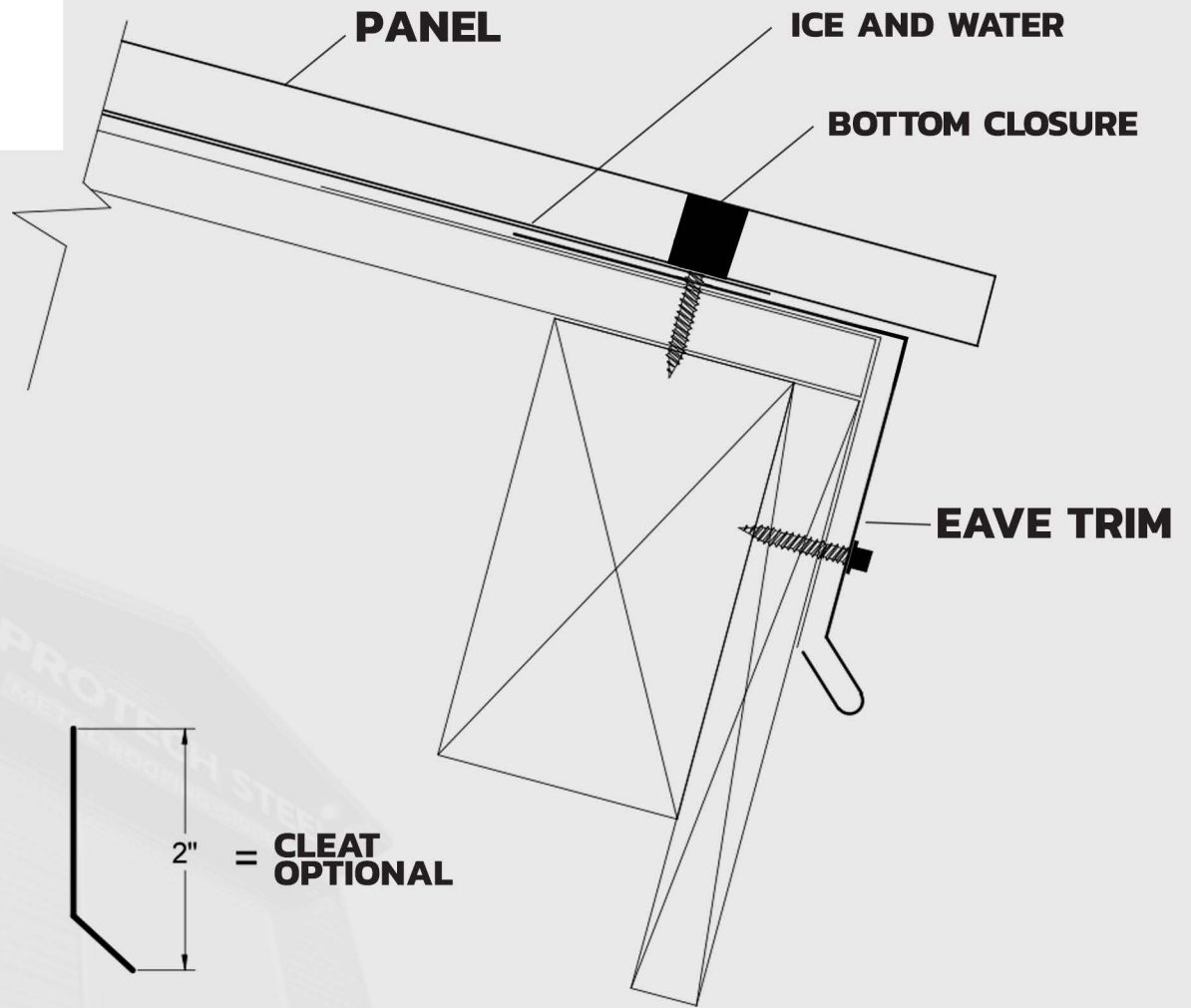
## QUICK NOTABLE

*There are many resources to aid you on your successful install process, including videos online.*



EAVE  
**DETAIL**

# 3' PBR PANEL



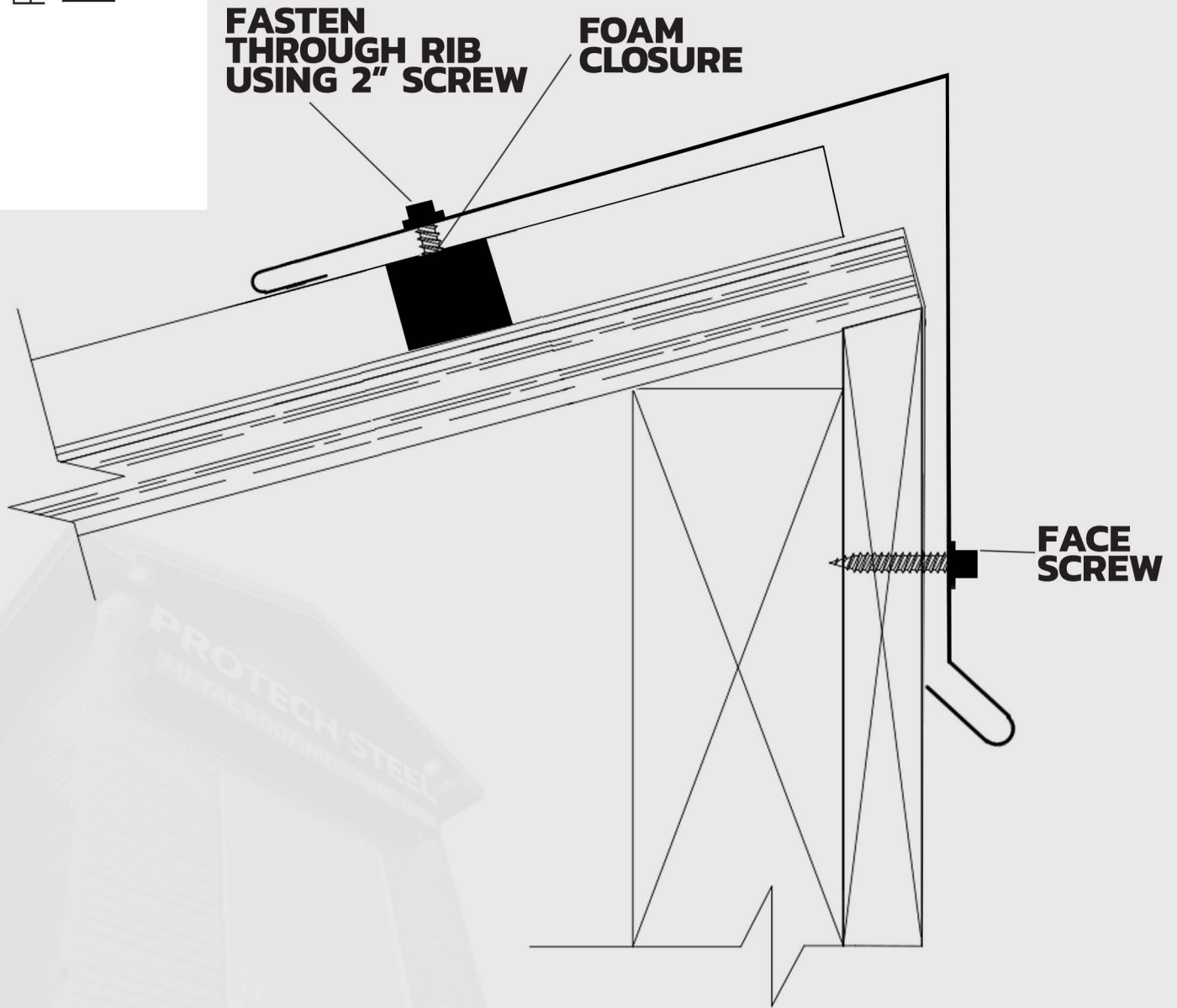
## QUICK NOTABLE

*Fasten through inside closure at eve to prevent closure from blowing out and for optimal seal.*



# PEAK DETAIL

# 3' PBR PANEL



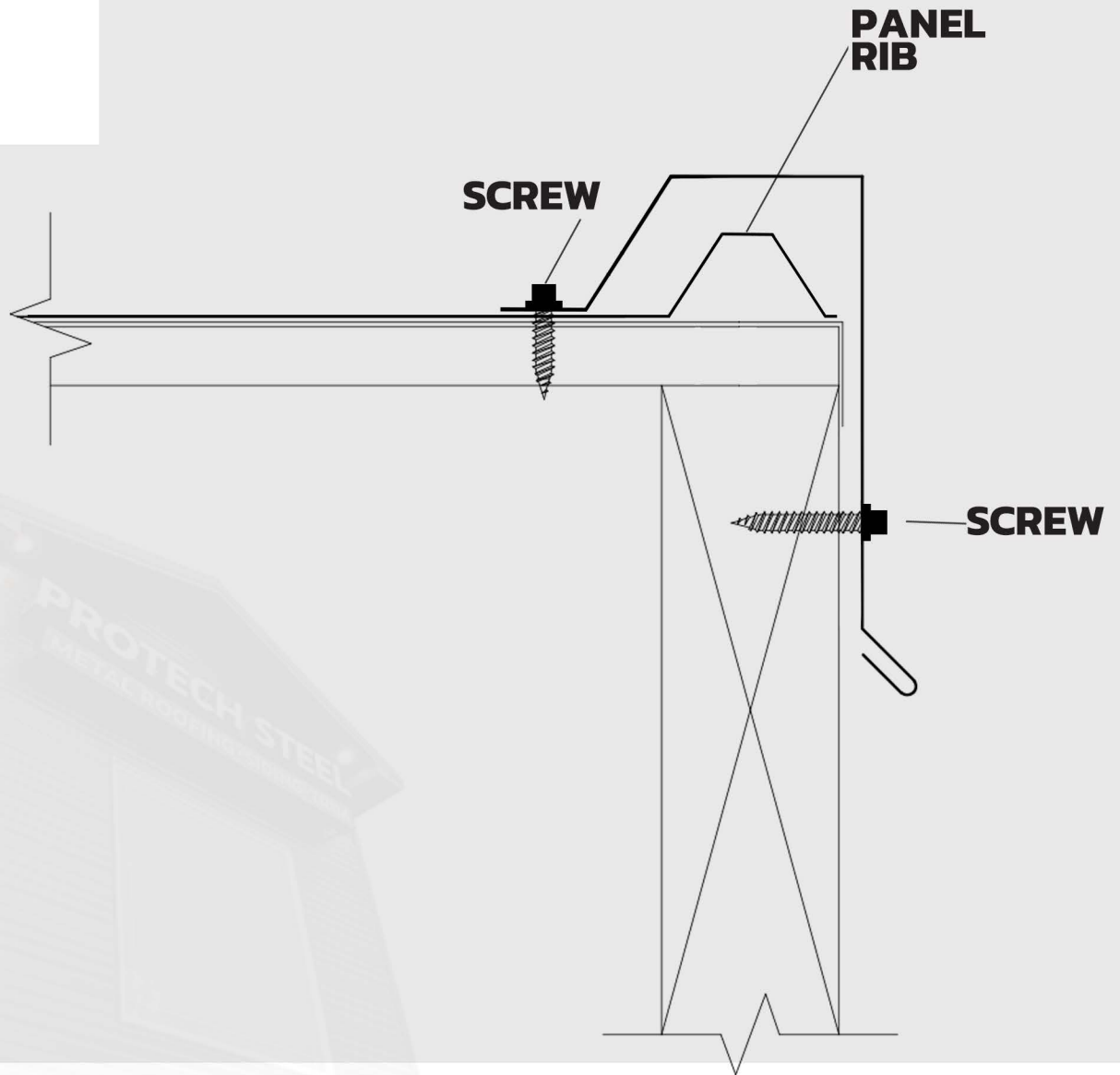
## QUICK NOTABLE

*Keep outside closure approx 2" up from the bottom of the peak trim and out of the sun. Fasten through rib and closure into substrate.*



# GABLE DETAIL

# 3' PBR PANEL



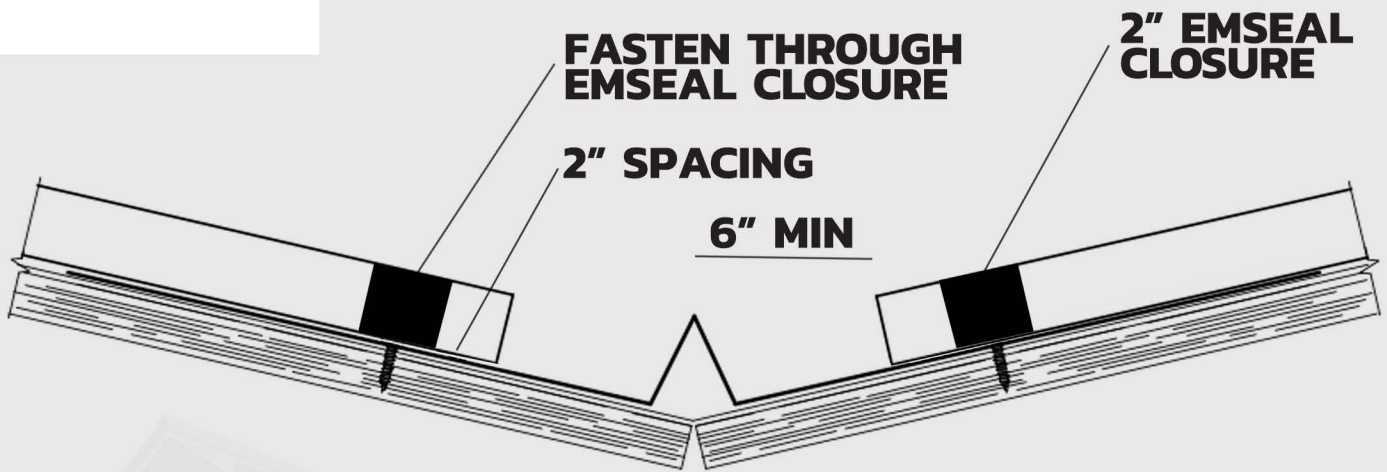
## QUICK NOTABLE

*It is suggested to use a butyl sealant under gable trim flange to prevent any water penetration.*



# VALLEY DETAIL

# 3' PBR PANEL



**EMSEAL IS A NON-PERMEABLE  
EXPANDING FOAM CLOSURE  
WHICH CAN BE USED TO SEAL  
HIPS AND VALLEYS**



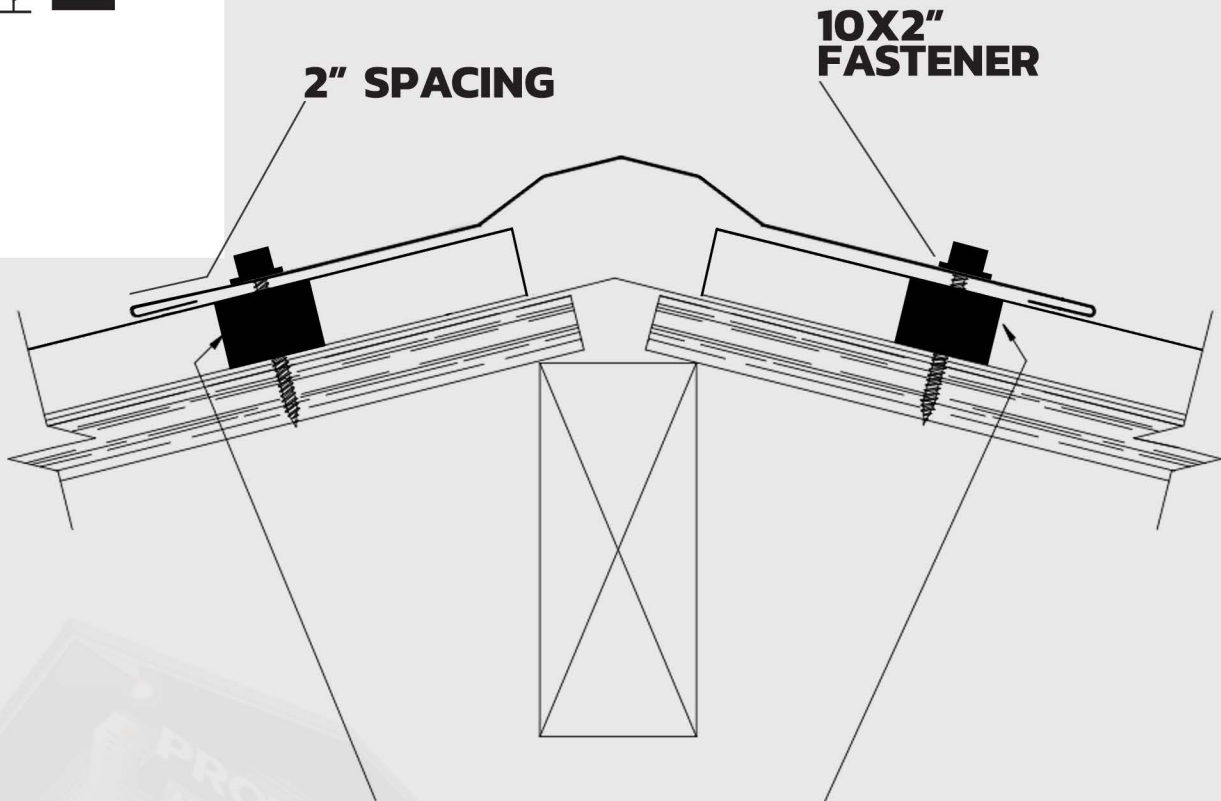
## QUICK NOTABLE

*Be sure to run ice and water over you valley, covering  
screw penetrations to ensure maximum protection.*



RIDGE  
**DETAIL**

# 3' PBR PANEL



**FASTEN THROUGH OUTSIDE CLOSURE**



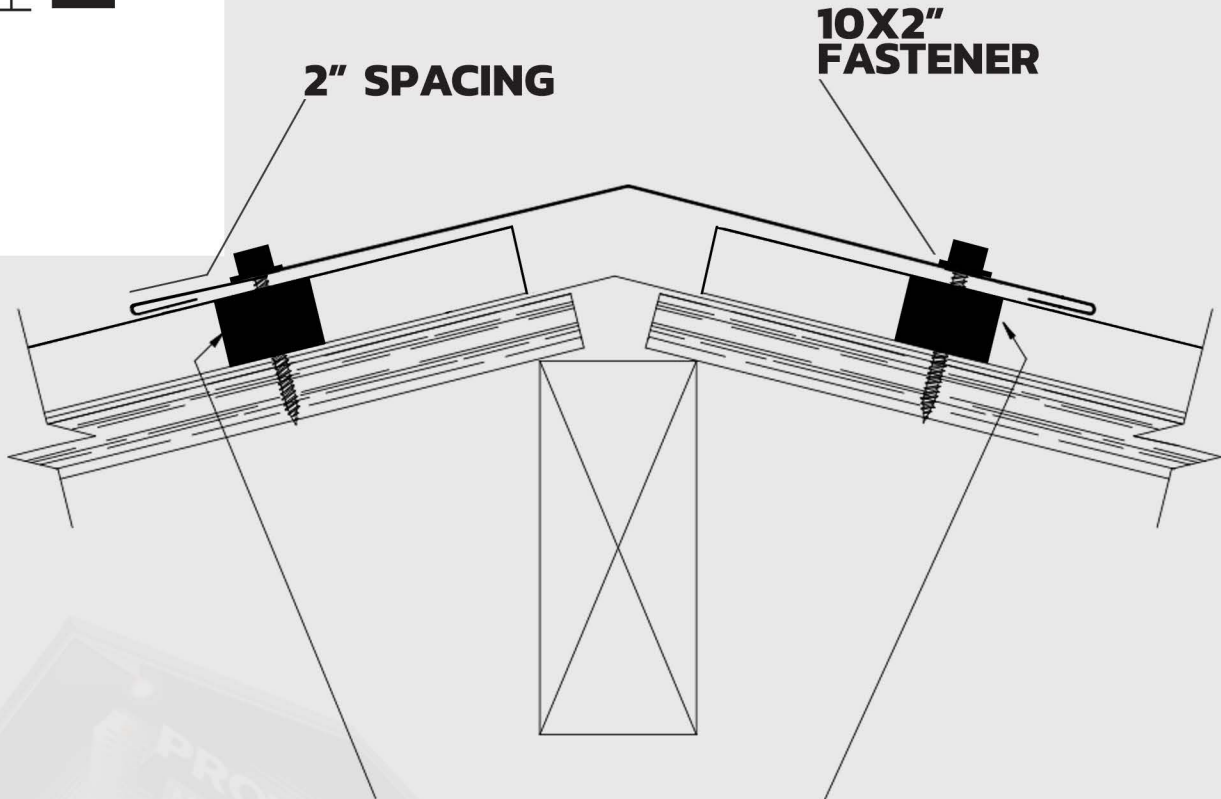
QUICK  
**NOTABLE**

*For hip ridge applications use the same installation method as illustration but exchange outside closure for 2" emseal expanding closure.*



# HIP RIDGE DETAIL

# 3' PBR PANEL



**FASTEN THROUGH 2" EMSEAL CLOSURE**



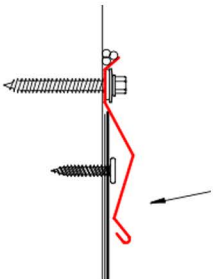
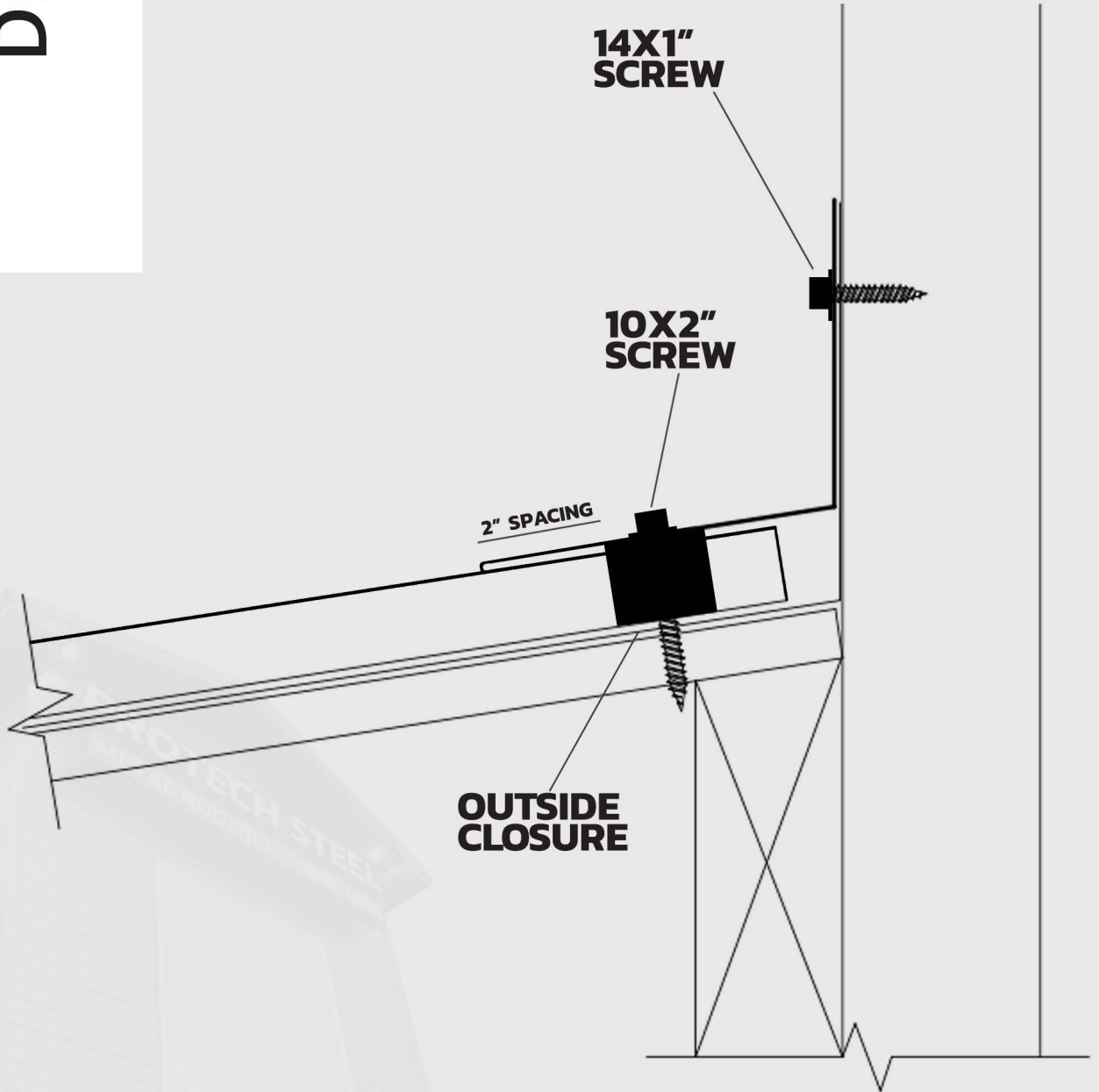
QUICK  
**NOTABLE**

*For a uniform hip line application, snap a line and place expanding foam closure 2" back.*



# ENDWALL DETAIL

# 3' PBR PANEL



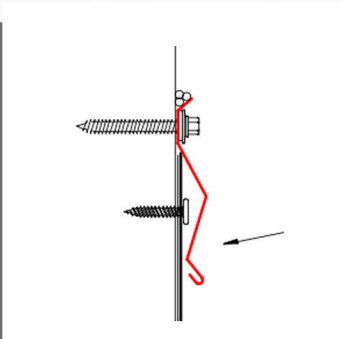
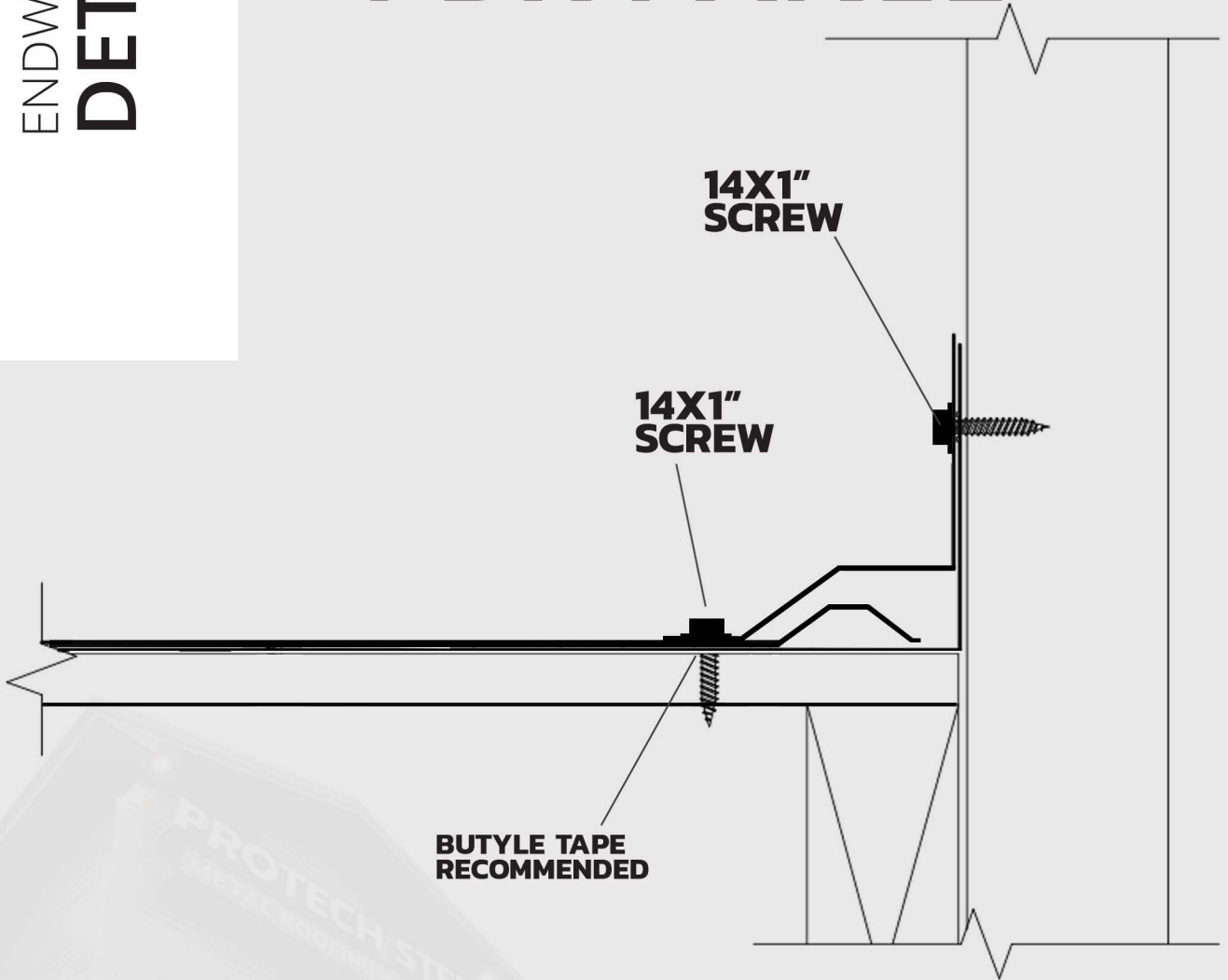
## QUICK NOTABLE

*Some applications may require a counter flashing detail.  
Be sure to carefully inspect your plans.*



# ENDWALL DETAIL

# 3' PBR PANEL



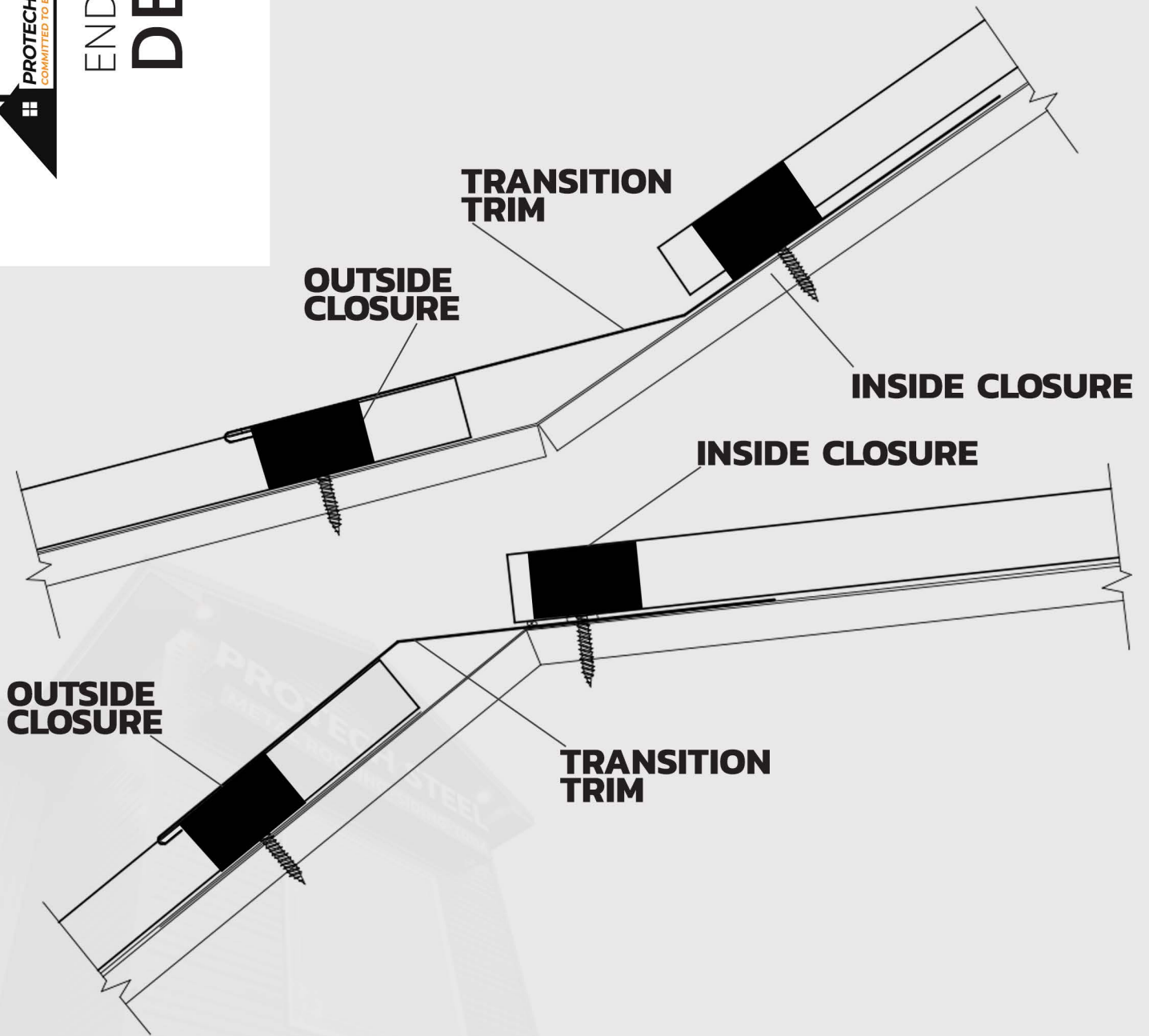
## QUICK NOTABLE

*Some applications may require a counter flashing detail.  
Be sure to carefully inspect your plans.*



ENDWALL  
**DETAIL**

# 3' PBR PANEL



## QUICK NOTABLE

*In some applications it may be beneficial to put a row of sealant tape or ice and water over the upper transition piece to prevent unwanted moisture.*