



**PROTECH STEEL**  
COMMITTED TO EXCELLENCE

METAL ROOFING - SIDING - TRIM

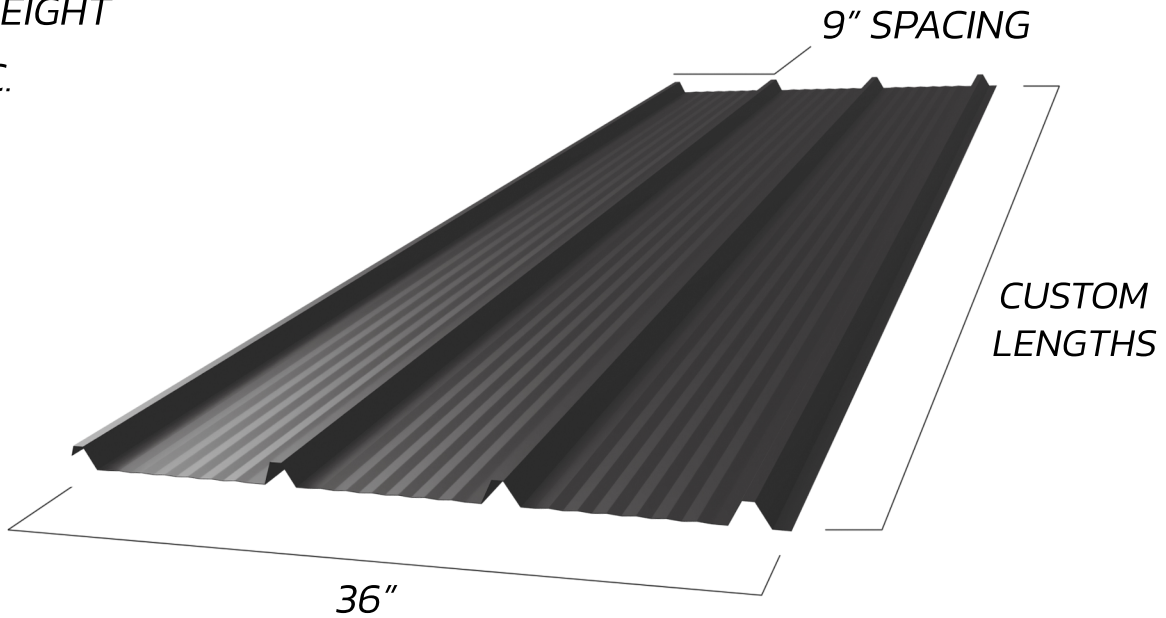
# 3' RUGGED RIB PANEL

## GENERAL DATA SHEET

36" PANEL COVERAGE

3/4" RIB HEIGHT

RIB 12" O.C.



FOR USE AS ROOFING AND SIDING

29G, 26G FINISH OPTIONS

\*ALTERNATE MATERIALS/FINISH AVAILALABLE

