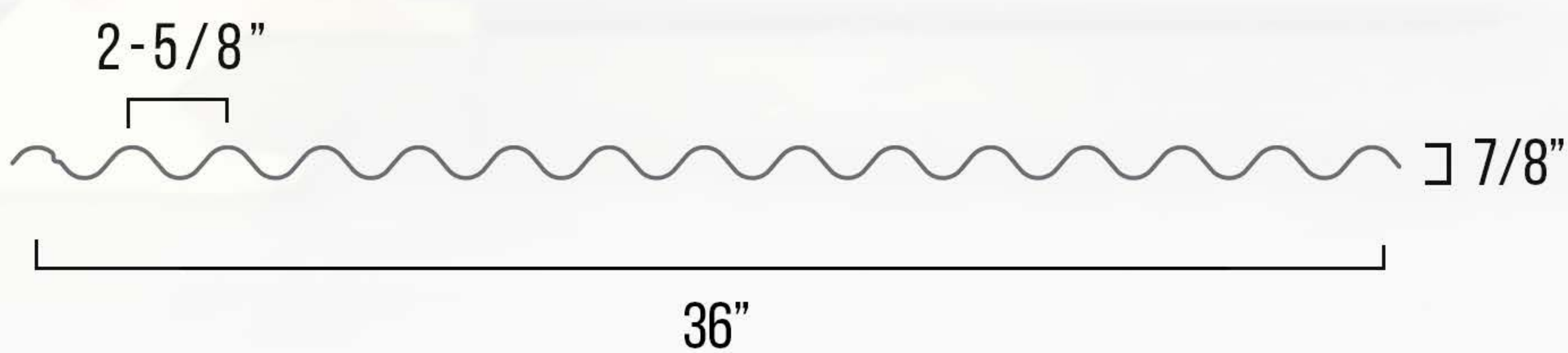


7/8" Corrugated INSTALLATION MANUAL



FOR STANDARD INSTALLATION PROTOCOL USE
BY INDUSTRY PROFESSIONALS.



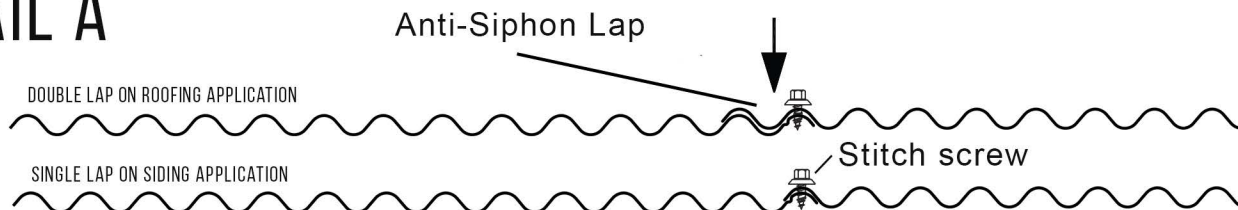
PROTECH STEEL
COMMITTED TO EXCELLENCE



7/8" COR. PANEL

The 7/8" Cor. Panel may be installed vertically or horizontally on sidewall applications and vertically on roof slope applications with a pitch of 3:12 or greater. The installer must pay special attention to sheet overlaps and be certain to do so as they are displayed in the below diagram with the anti-siphon groove on the bottom of lap side.

DETAIL A



With roof and wall applications, start installing at the end of the building opposite the direction of the prevailing wind. With horizontal wall applications, start installing the metal at ground level and work up. On walls the girt spacing to which the metal is being applied should be no more than 36" o/c. On roofs, the purlin spacing ought to be no more than 48" o/c.

Panels should be no longer than 25' to minimize the effect of metal expansion and contraction. This length is also easier to handle during installation. In situations where longer lengths are required, the ends will be overlapped. On roofs, the distance of end overlap varies with the amount of slope. When the slope is from 2.5/12 an end overlap of 12" is required, a 2.5-4/12 slope requires a 9" overlap, and a 4/12 slope requires a 6" overlap.

To further moisture proof the building, a recommended sealing tape or caulking may be installed on all overlapping edges. Side edge overlaps should be caulked at the top of the rib, while end overlaps should be caulked at the ends of both the top and bottom sheet.

FASTENERS

Screw fasteners of 2" length are placed through every high rib and fully penetrate the decking. To estimate the quantity of screw fasteners required, estimate 1 screw per square foot of cladding.

Screws should be installed to firmly hold the cladding, but must not be overdriven as this will cause the washers to squeeze out or dent the cladding. Panels should always be fastened to a rigid backing, not onto a backing of old shingles or insulation for example.



7/8" COR. PANEL

DETAIL B

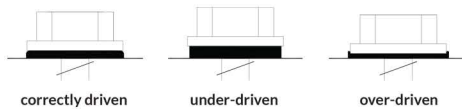
PROPPER ROOF SCREW PLACEMENT



ACCEPTABLE WALL SCREW PLACEMENT



PROPPER FASTENER INSTALLATION



PANEL STORAGE

If the panels are not going to be used immediately, they should be stored in a dry well ventilated area. If it is not possible to store the material inside, block up the panels to allow air movement around the bundles. It is important to also raise one side of the bundles to ensure positive draining, and to use a good quality cover (other than plastic) anchored loosely to protect the material and still allow ventilation. Store away from corrosive substances, electricity and any other materials that could contaminate or damage the surface of the panels.

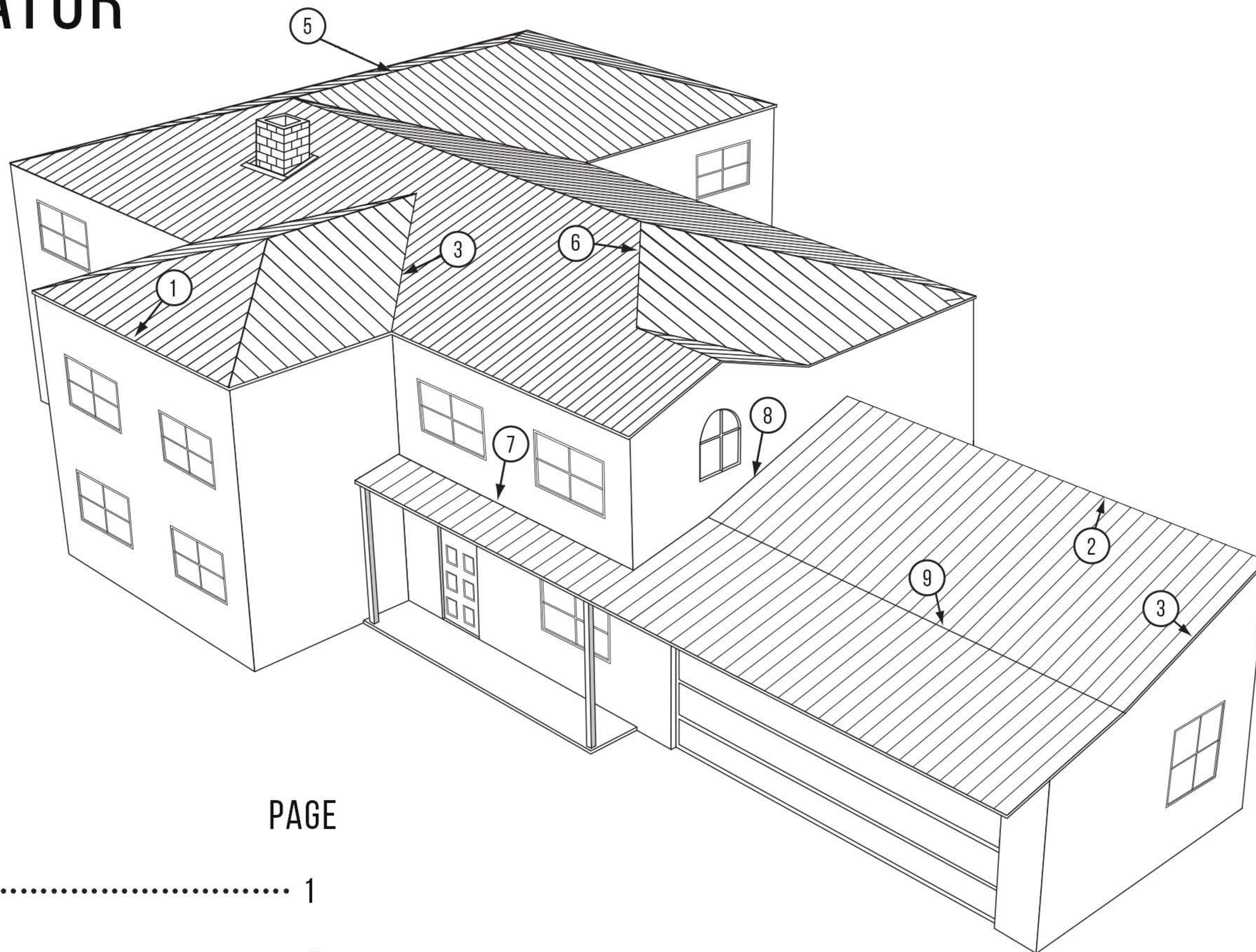
APPLICATION AND PREPARATION

Fasteners should be installed into a solid backing or purlins. Avoid installing directly over green, damp or chemically treated lumber, porous insulation or other damaging materials. The use of a moisture barrier (such as Ice & Water Shield) is recommended in such situations. Corrosive chemicals, fertilizers, manure, some soils, and lime may cause premature deterioration and will need to be cross referenced with material and paint warranties as to ensure warrantability. When in doubt, reach out to one of our professionals for further assistance.



7/8" COR. PANEL

DETAIL LOCATOR

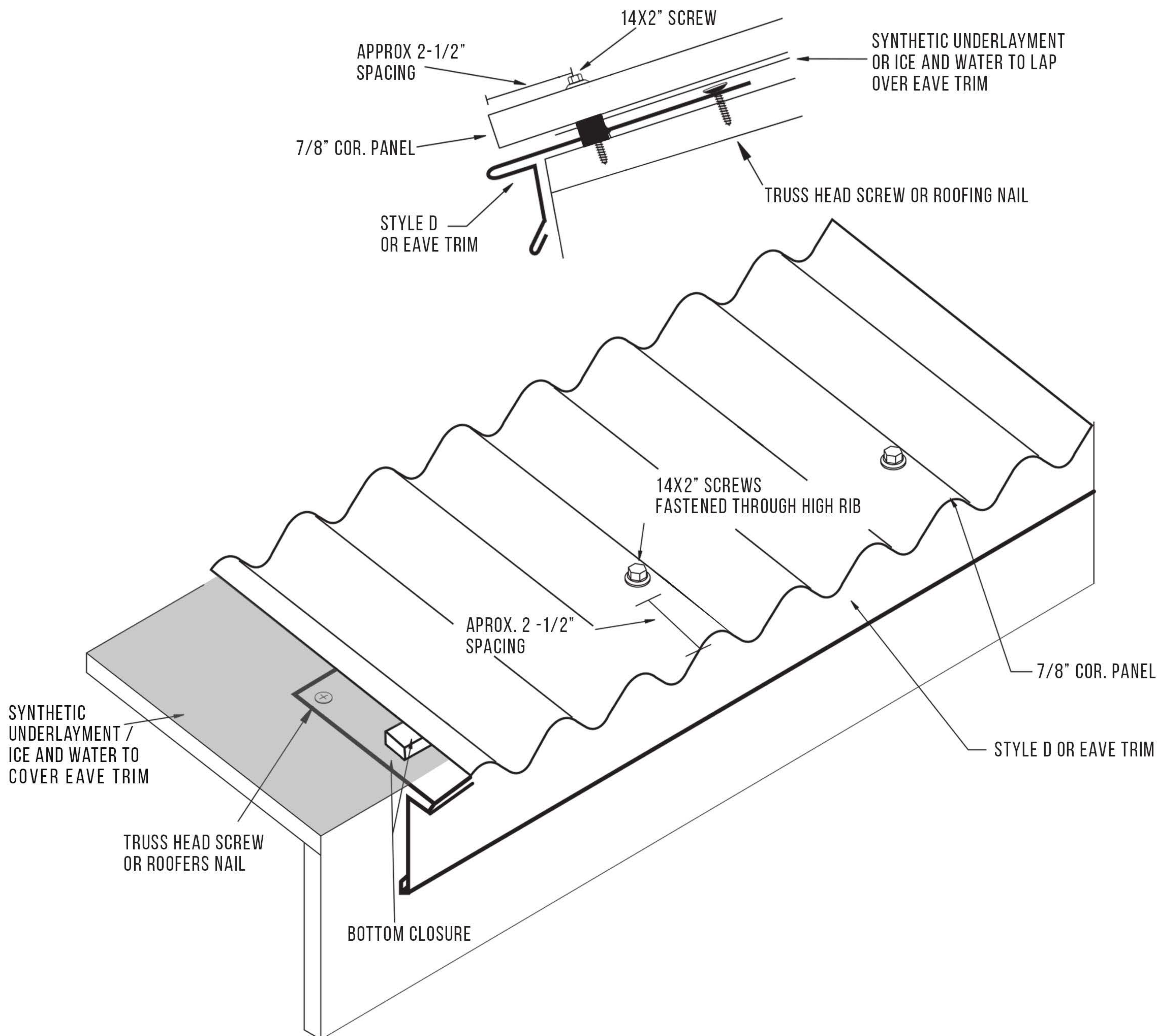


DETAIL SECTIONS	PAGE
EAVE	1
PEAK TRIM	2
GABLE	3
VALLEY	4
RIDGE	5
HIP	6
ENDWALL TO ROOF TRANSITION	7
SIDEWALL FLASHING	8
PITCH BREAK	9



7/8" COR. PANEL

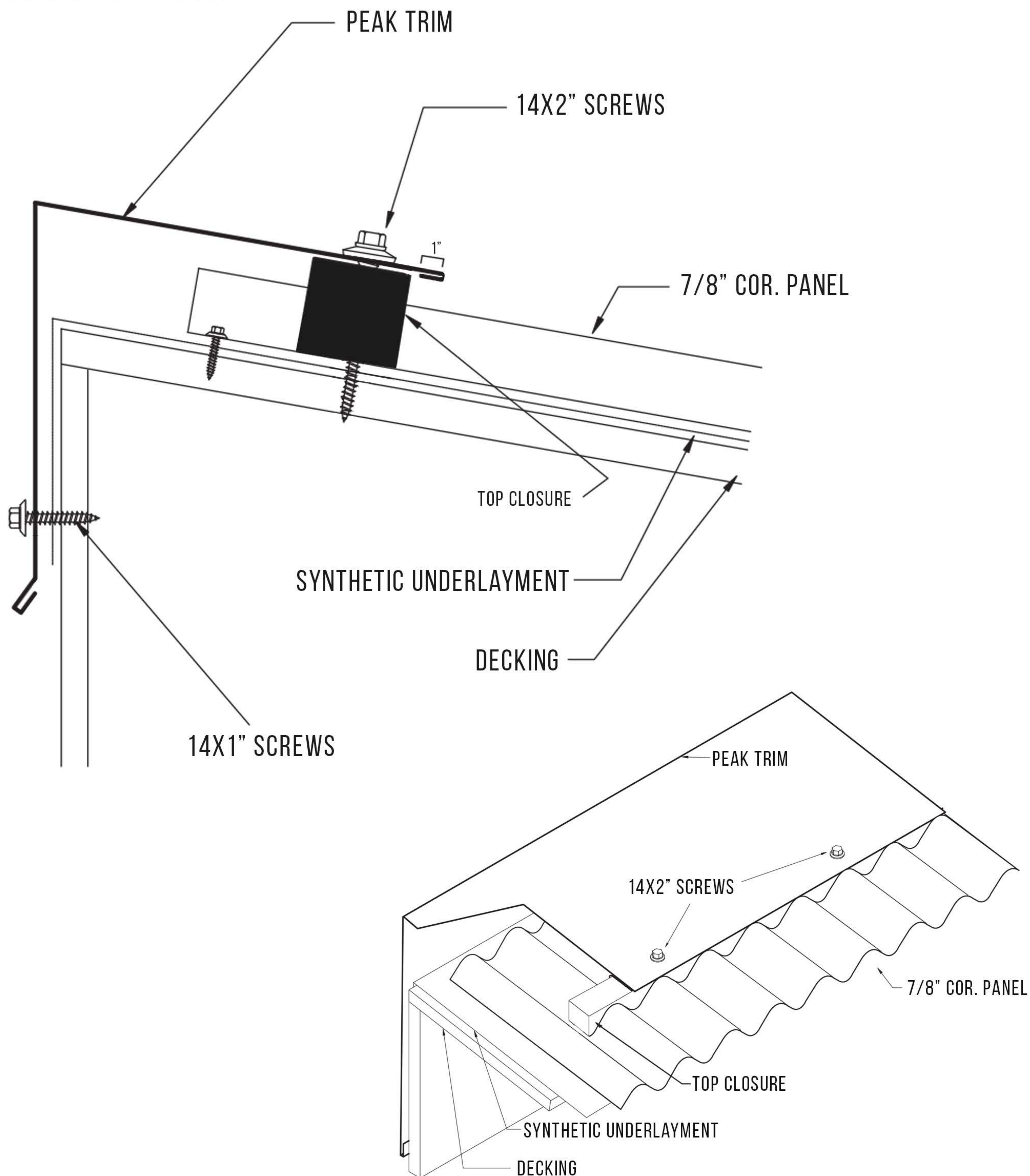
EAVE TRIM DETAIL

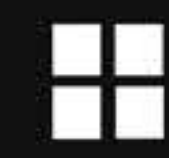




7/8" COR. PANEL

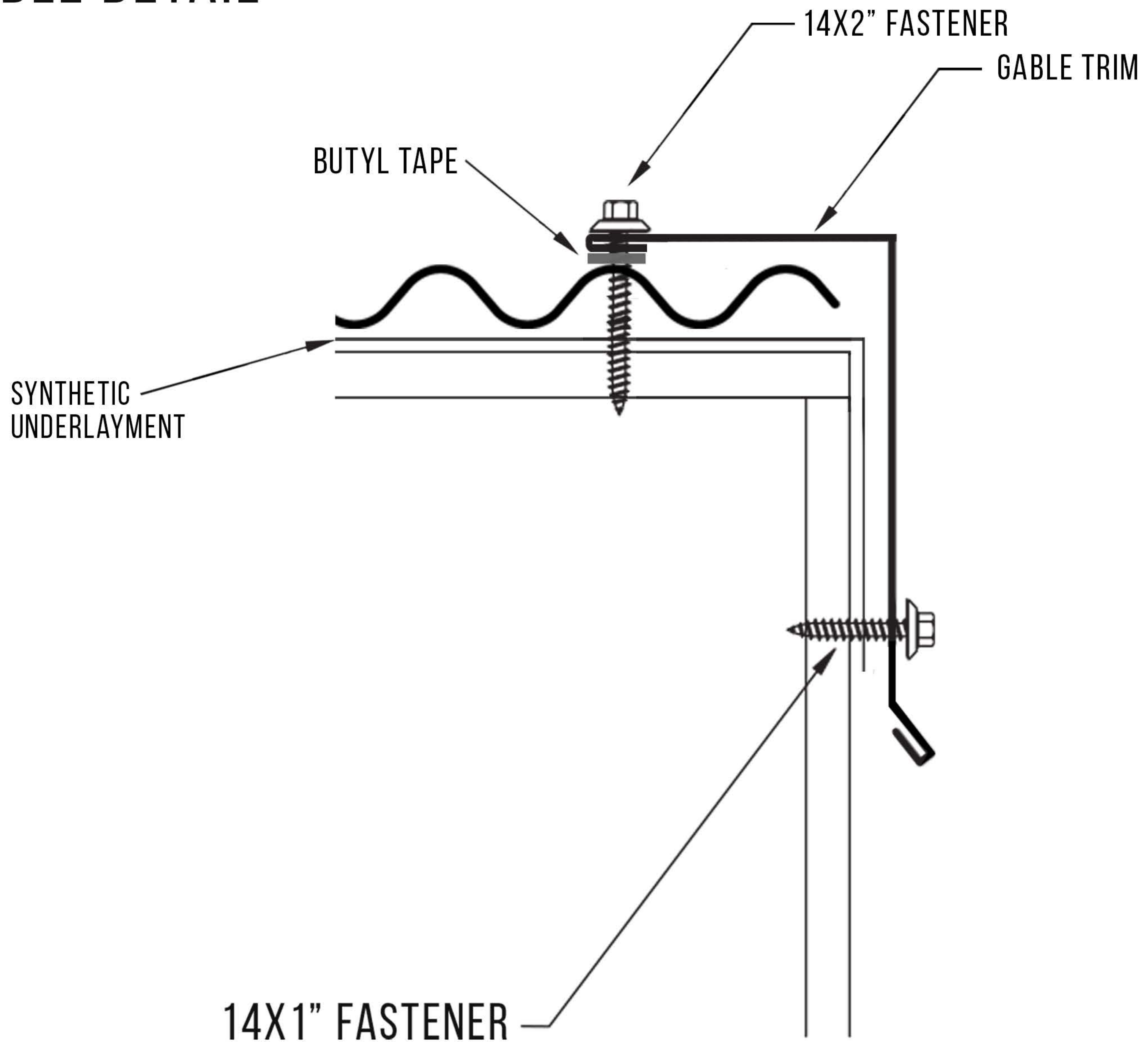
PEAK TRIM DETAIL





7/8" COR. PANEL

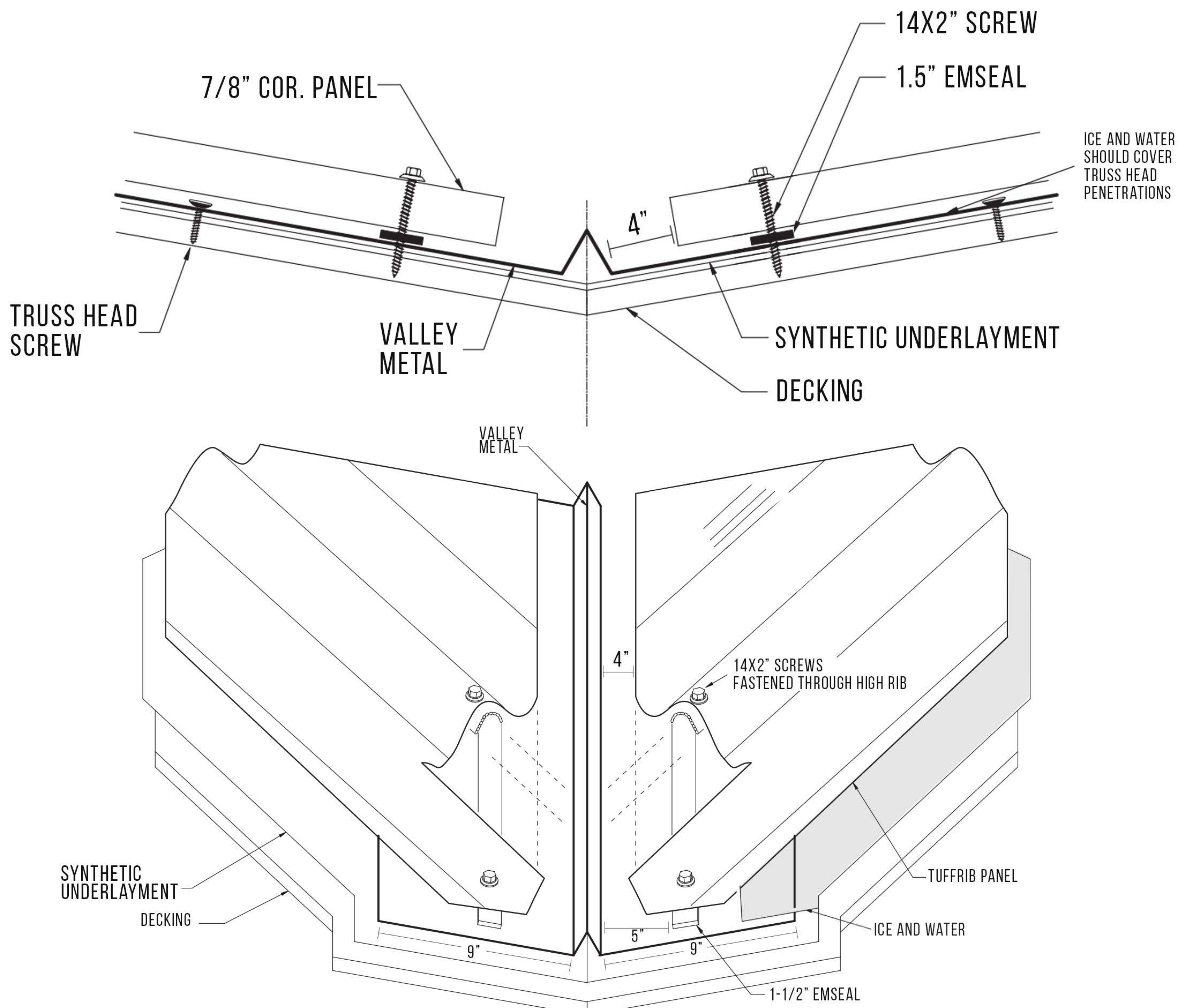
GABLE DETAIL

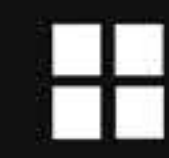




7/8" COR. PANEL

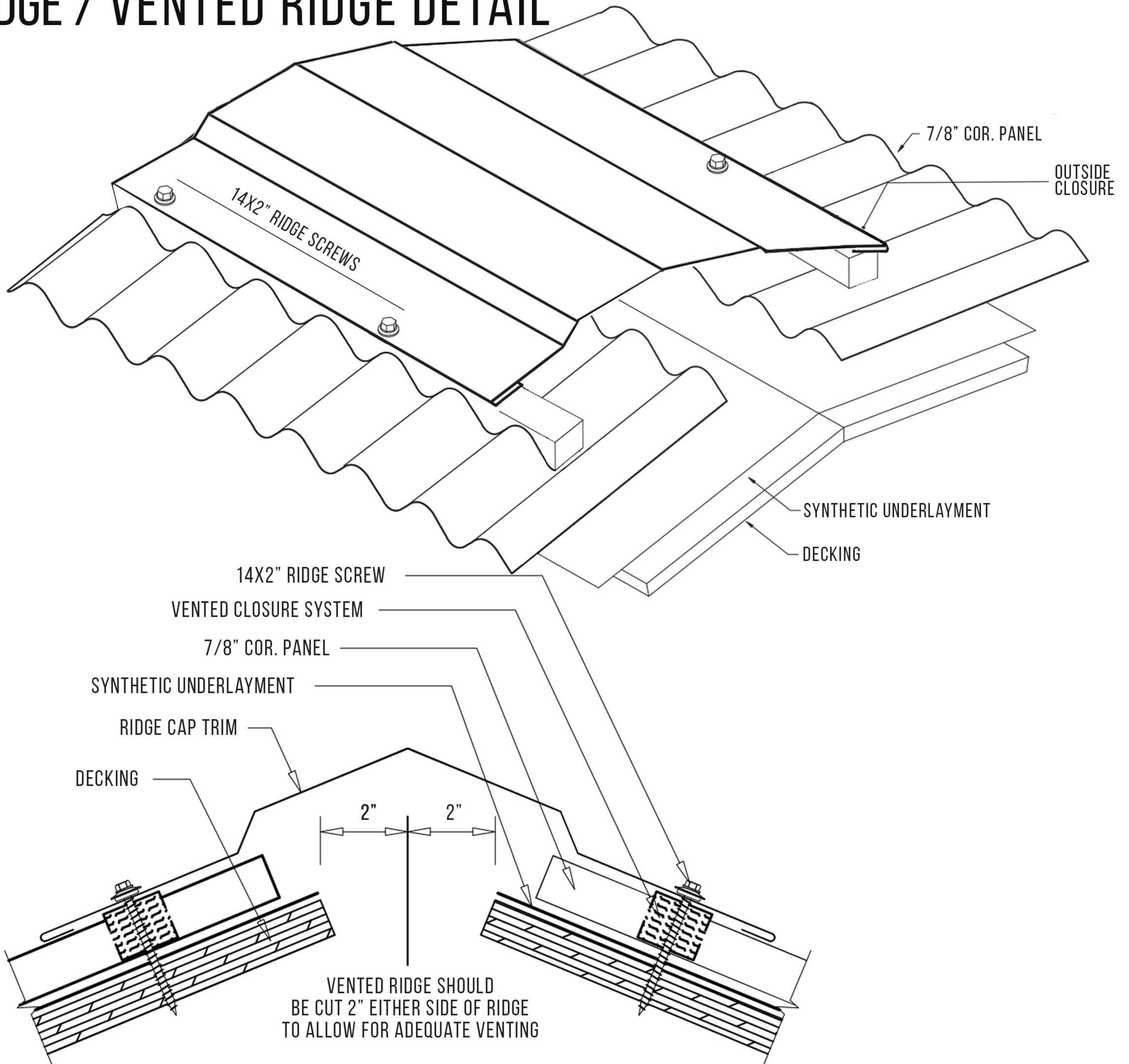
VALLEY DETAIL

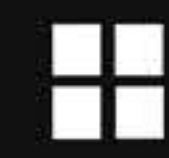




7/8" COR. PANEL

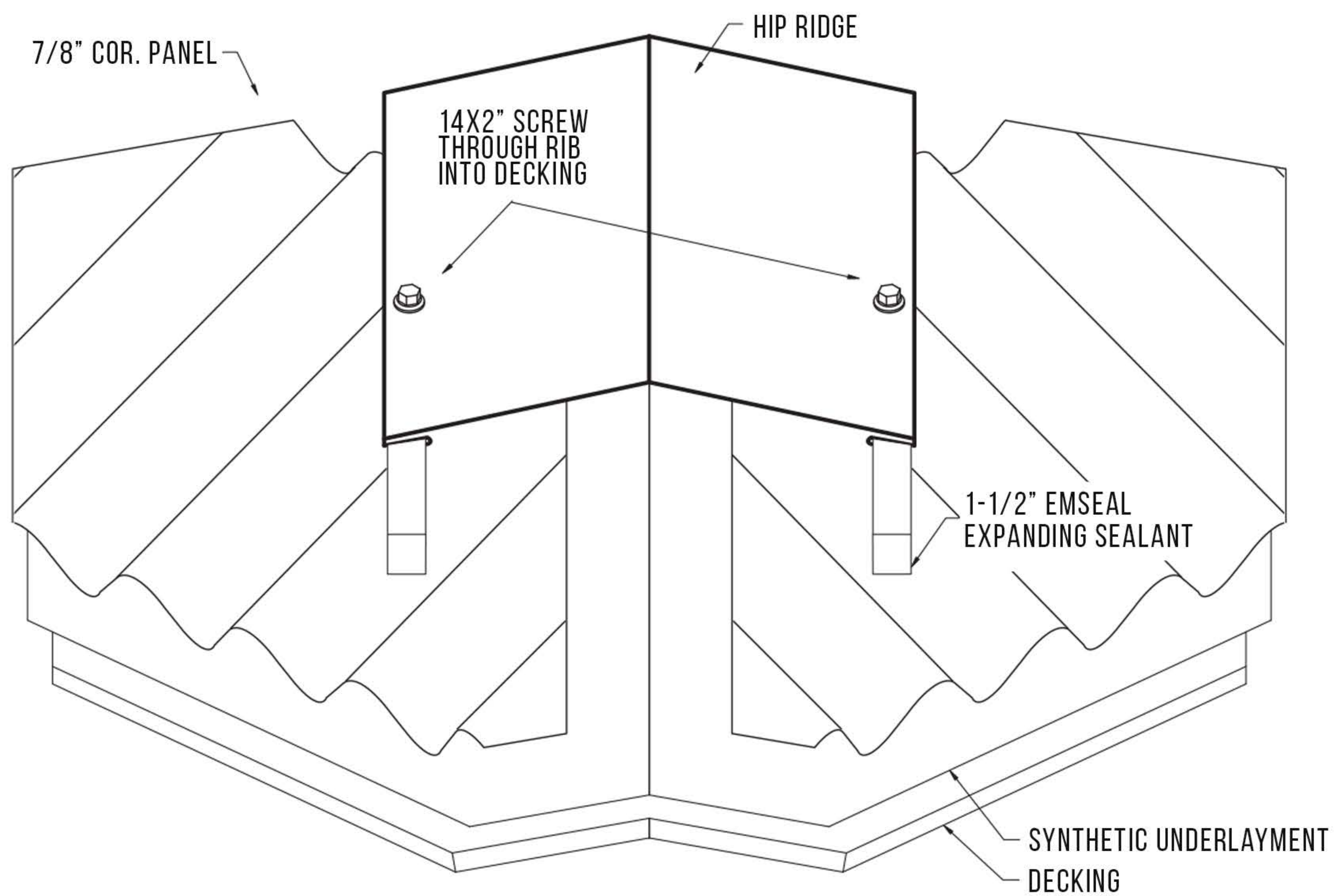
RIDGE / VENTED RIDGE DETAIL

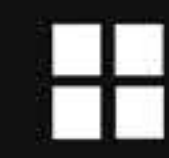




7/8" COR. PANEL

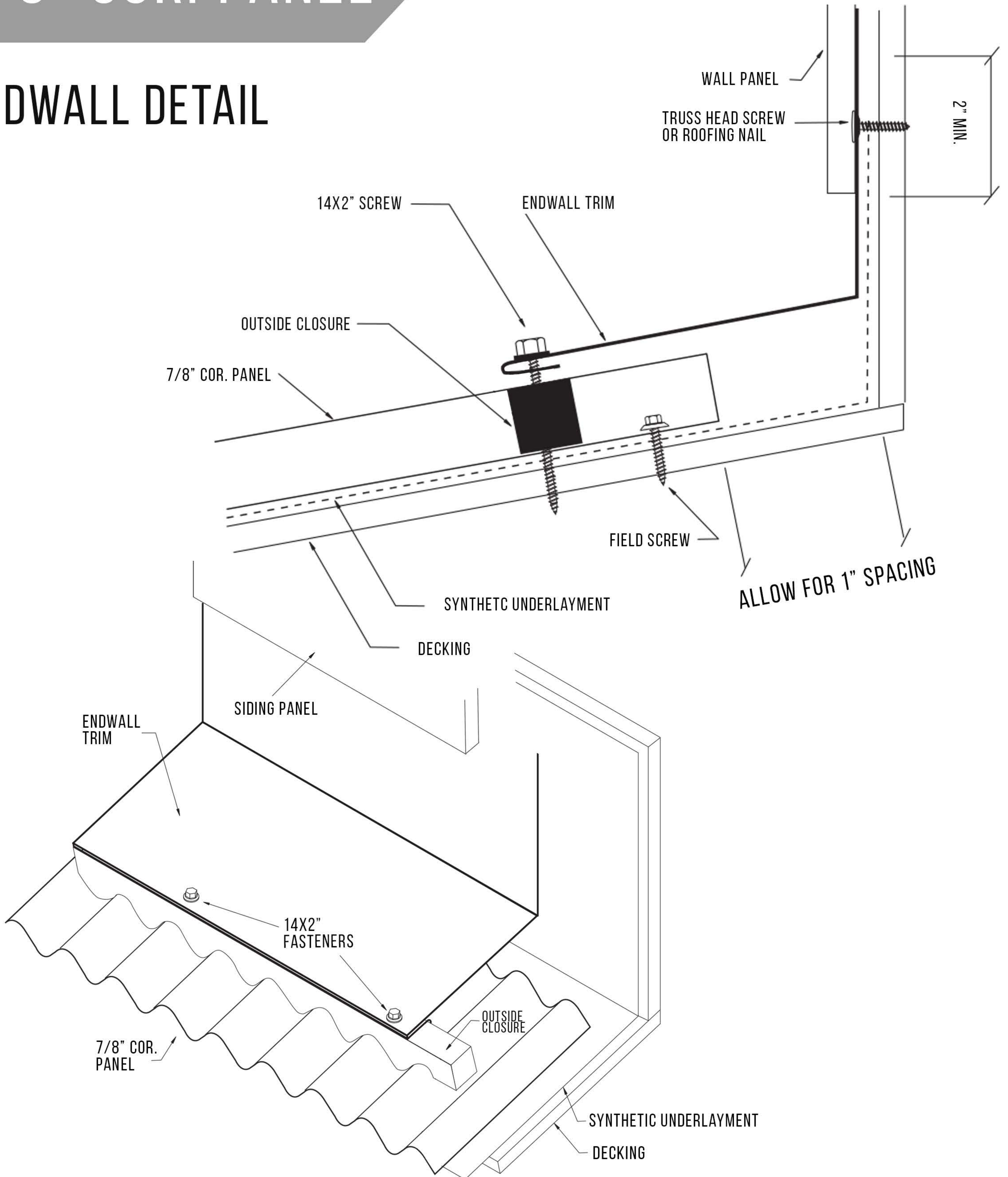
HIP RIDGE DETAIL





7/8" COR. PANEL

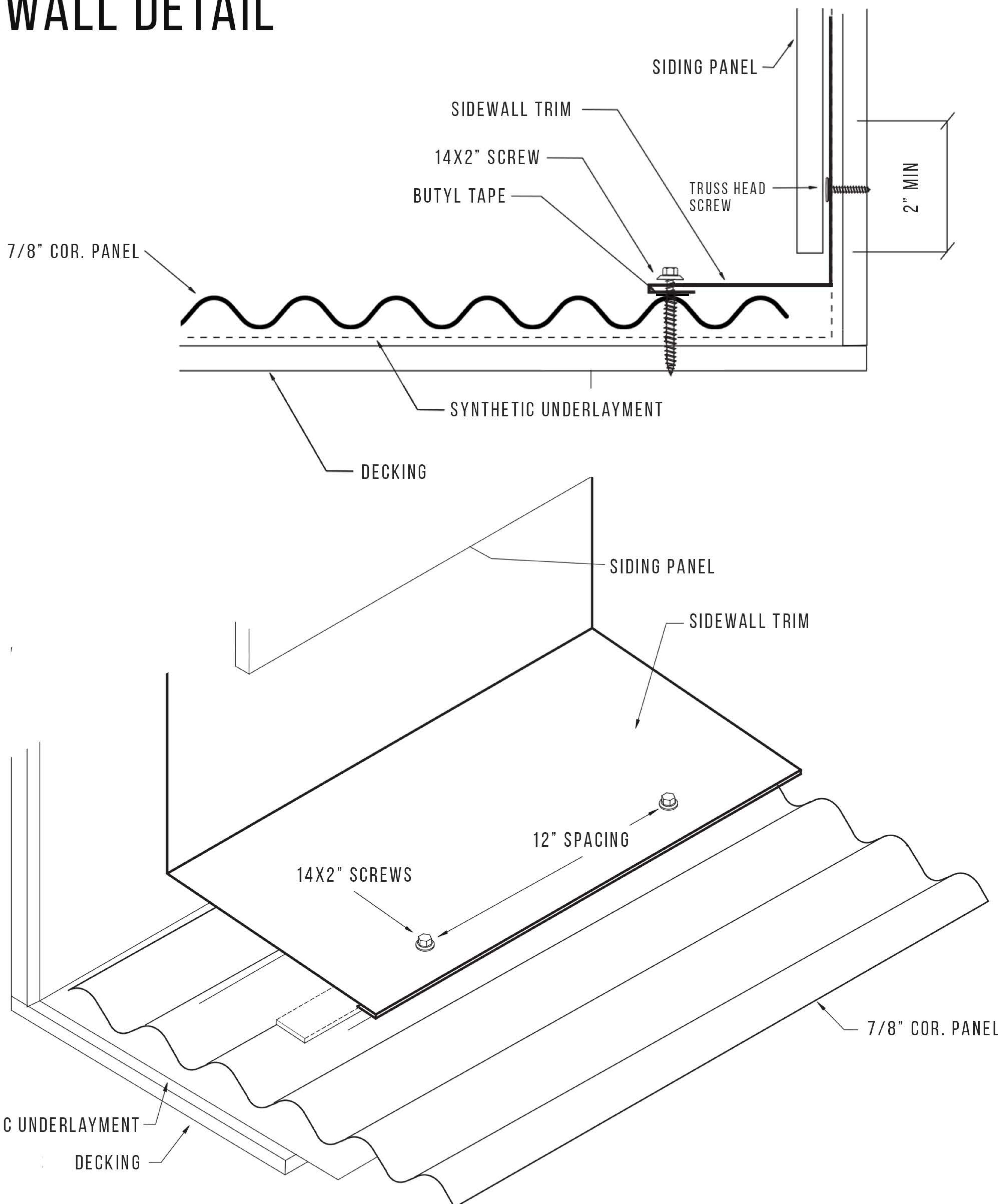
ENDWALL DETAIL





7/8" COR. PANEL

SIDEWALL DETAIL





7/8" COR. PANEL

PITCH BREAK DETAIL

